

Technical Data VACUDEST M

275,000 - 550,000 gal industrial wastewater per year

- VACUDEST Modular-System – Customized systems
- Energy efficient due to 95 % energy recycling
- Cost efficient due highest evaporation rates
- Maintenance friendly design to optimize system availability
- Comfortable Vacutouch control system including internet connection
- State of the art technology stands for highest distillate quality

VACUDEST M

VACUDEST Modular-System – Features

- Activepowerclean self-cleaning heat exchanger, to reduce operation cost
- Clearcat condensation stage for complete removal of hydrocarbons
- Destcontrol to further improve distillate quality
- e-service, internet connection of Vacutouch control system
- Premium exhaust air cooling, premium noise protection and much more

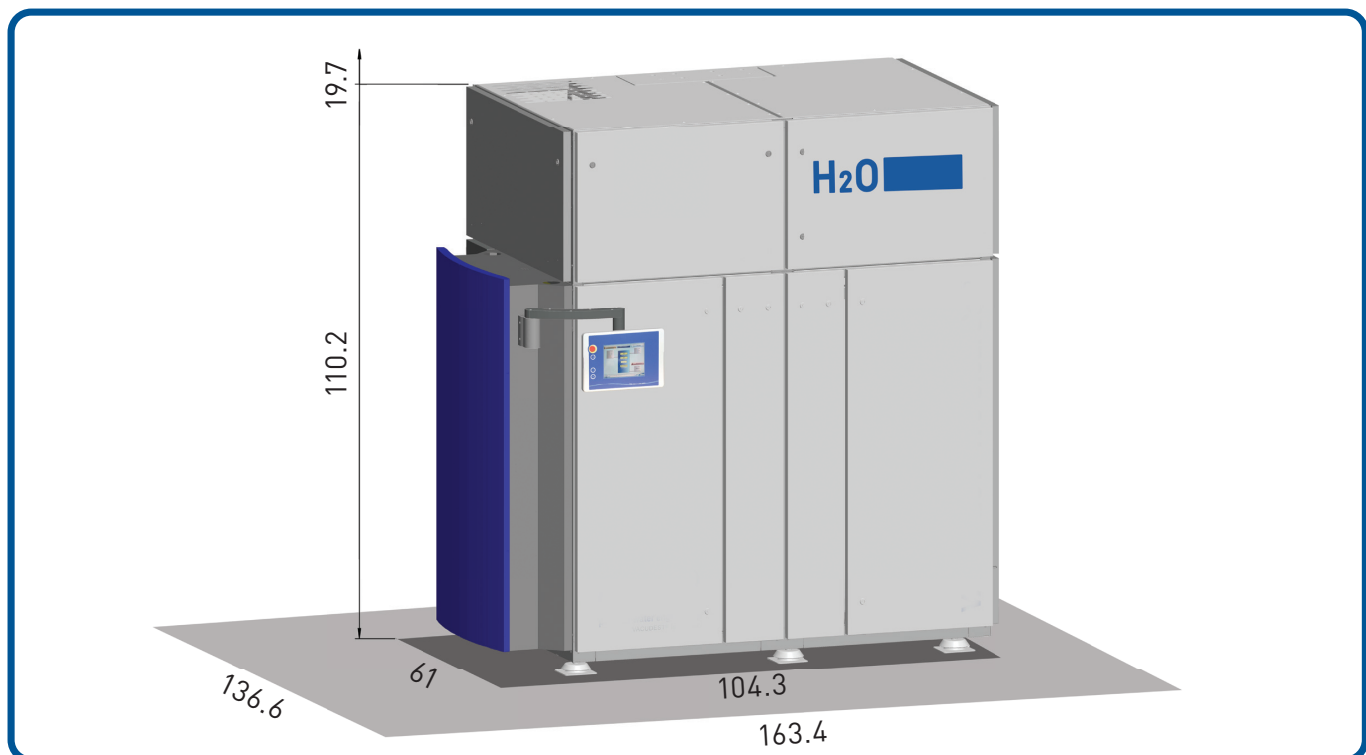


Technical Data

VACUDEST	annual capacity*	Reference capacity with pure water	Average capacity with wastewater*	Electrical load	Weight (empty)	Energy consumption starting from
M 1,050	275,000 gal	46 gal/h	35 gal/h	15 kW	5,200 lb	0.21 kWh/gal
M 1,500	400,000 gal	66 gal/h	49 gal/h	22 kW	5,500 lb	0.19 kWh/gal
M 2,100	550,000 gal	92 gal/h	69 gal/h	30 kW	5,750 lb	0.19 kWh/gal

* 8,000 hours of operation, 5 % average evaporation residue of the wastewater

Dimensions (inch)



Dimensions of the VACUDEST vacuum distillation systems with optimal maintenance space

Copyright © H2O GmbH 2019 US-DB-11/2019